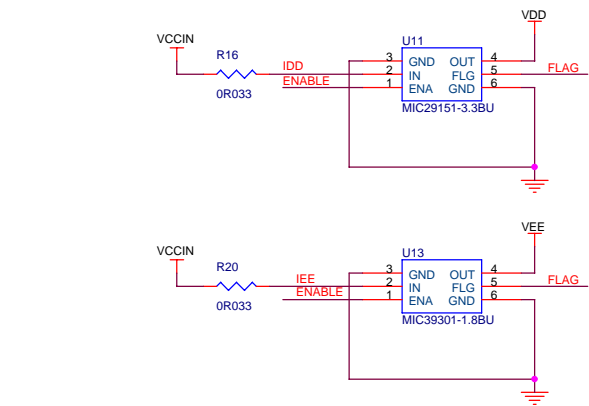
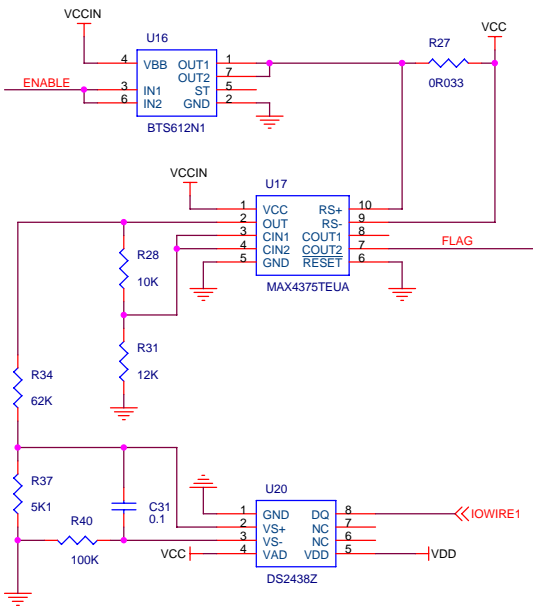


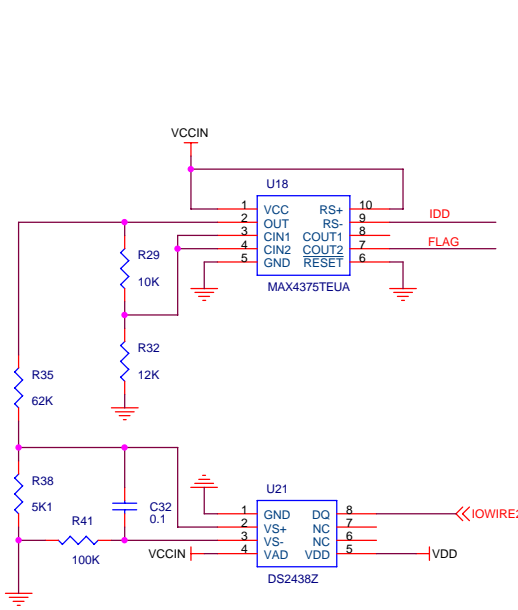
A



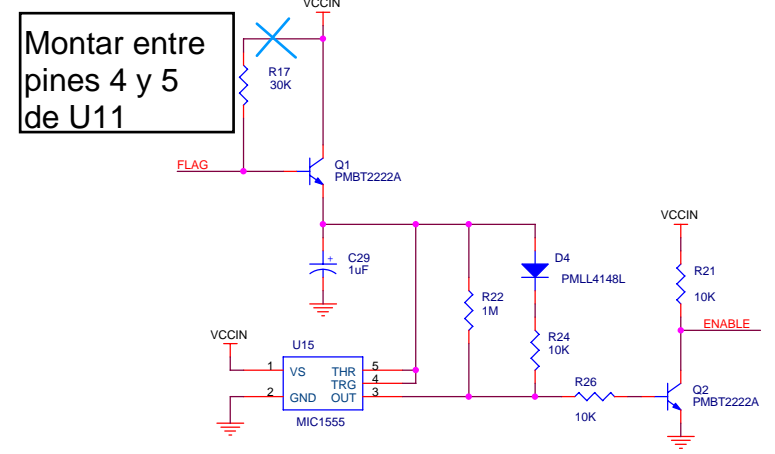
B



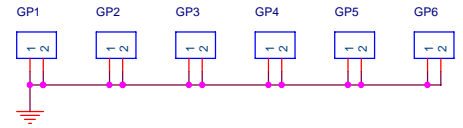
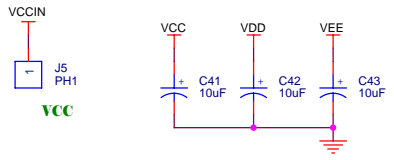
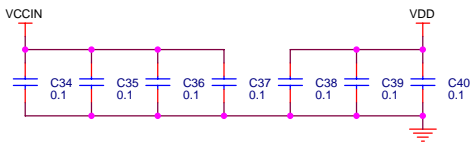
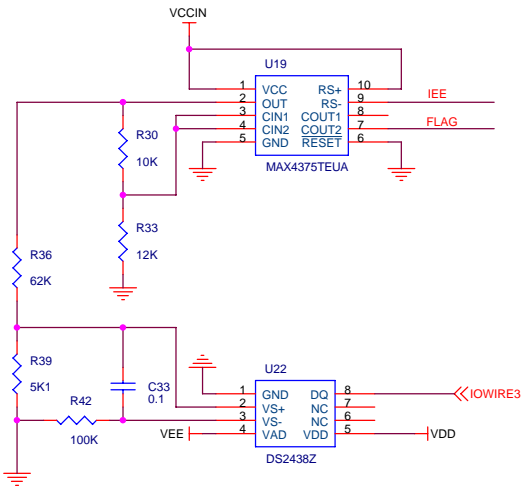
C



D



E



Title		
ROS25 v1.1/ POWER		
Size	Document Number	Rev
A3		A
Date:	Tuesday, July 25, 2006	Sheet 4 of 16

A

B

C

D

E