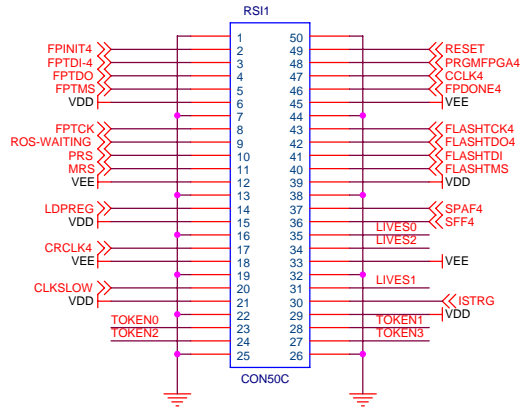
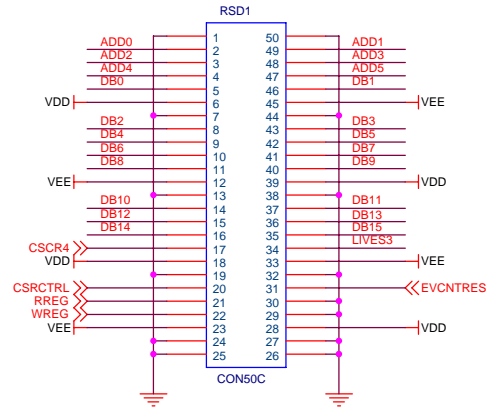


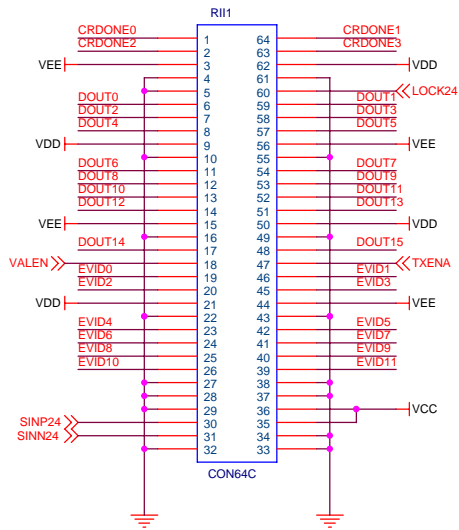
CON. SUPERIOR IZQ.



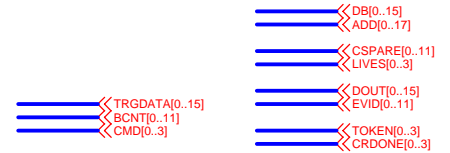
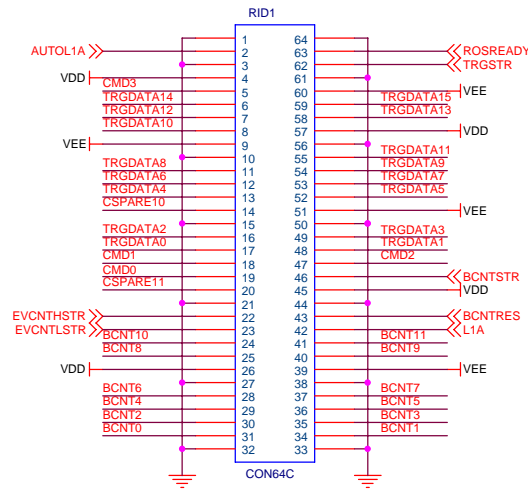
CON. SUPERIOR DCH.



CON. INFERIOR IZQ.



CON. INFERIOR DCH.



| | | |
|----------------------|------------------------|----------------|
| Title | | |
| ROS25 v1.1/ ROS-CTRL | | |
| Size | Document Number | Rev |
| A3 | | A |
| Date: | Tuesday, July 25, 2006 | Sheet 11 of 16 |