

A

B

C

D

E

4

4

3

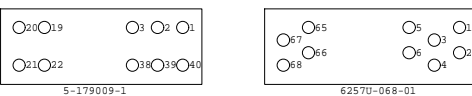
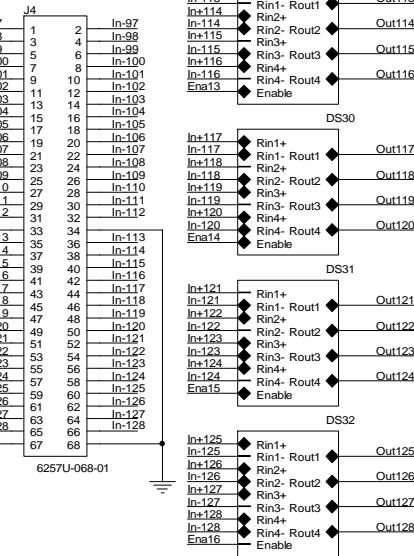
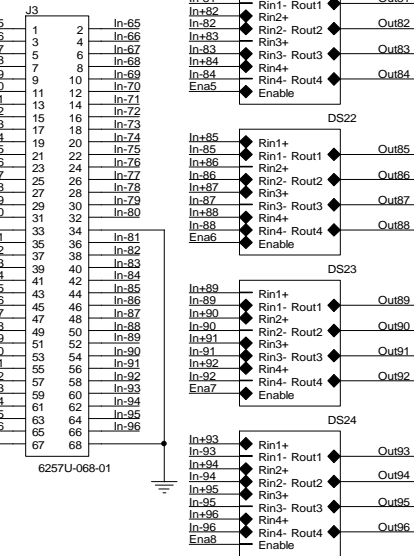
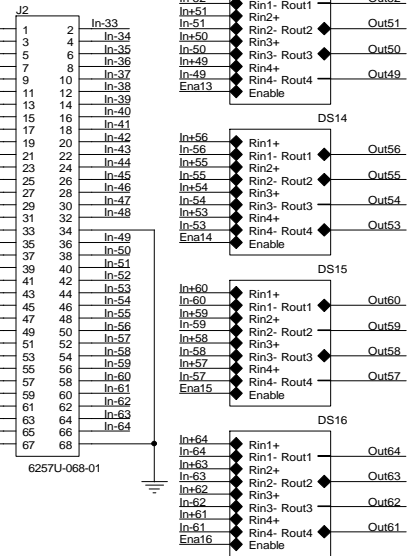
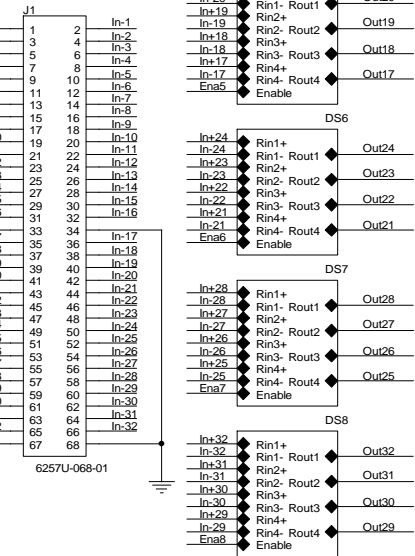
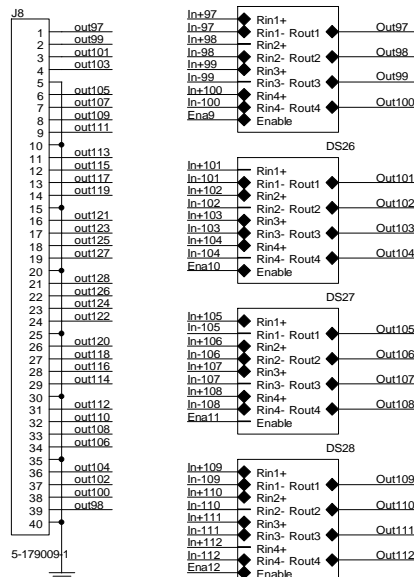
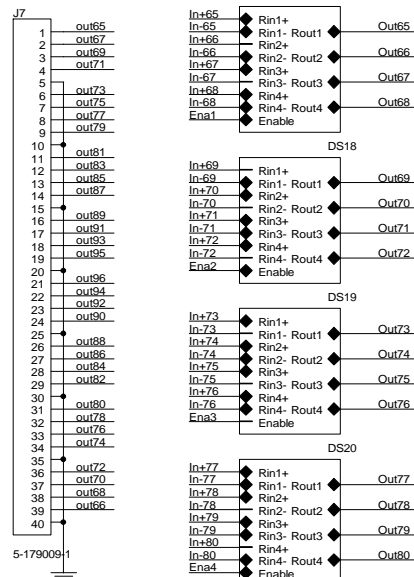
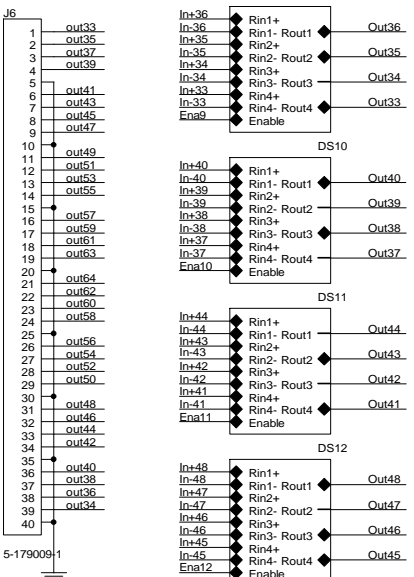
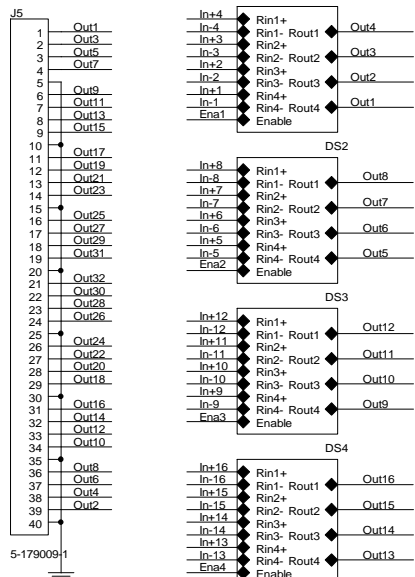
3

2

2

1

1



INPUT

Title			ROB128-3.2 / INPUT
Size	Document Number	Rev A	
Date	Saturday, March 02, 2002	Sheet	4 of 6

A

R

C

D

F