

A

B

C

D

E

4

4

3

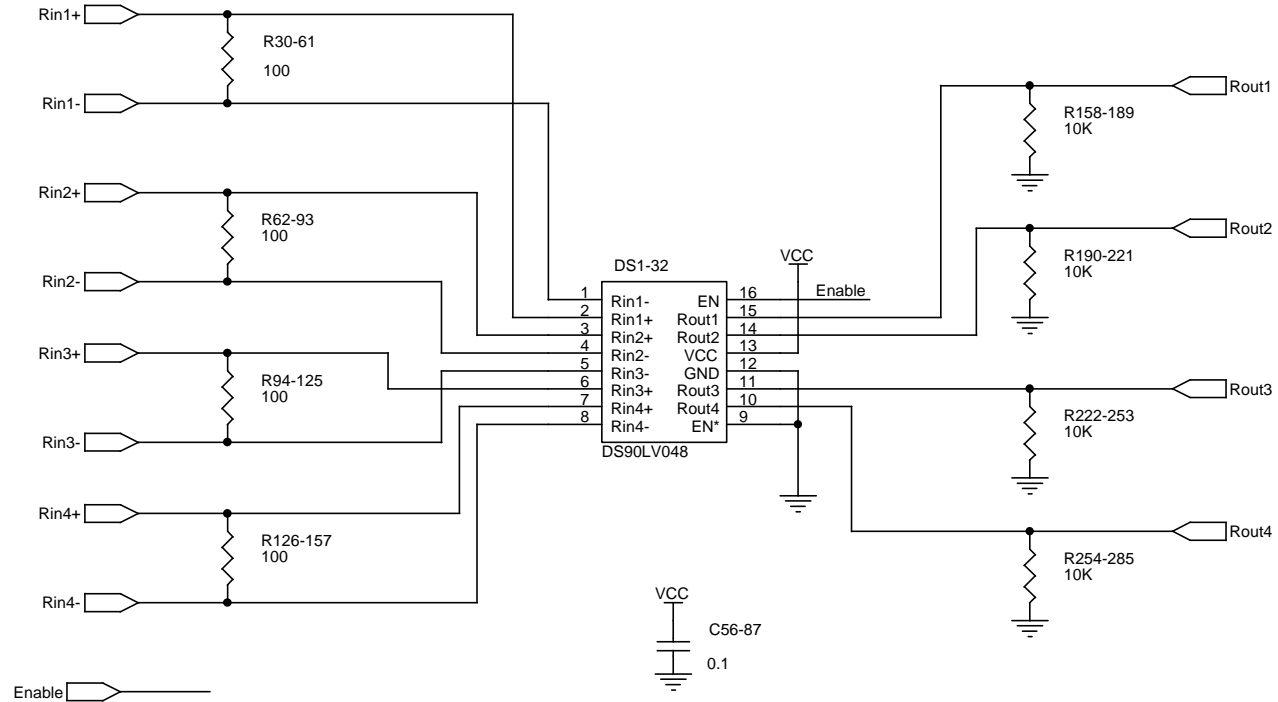
3

2

2

1

1



RECEIVER

Title		
ROB128-3.2 / Receiver DS1-DS32		
Size	Document Number	Rev
A4		A
Date:	Saturday, March 02, 2002	Sheet 1 of 6

A

B

C

D

E