

A

B

C

D

E

4

4

3

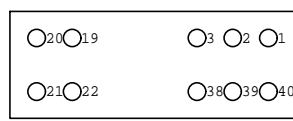
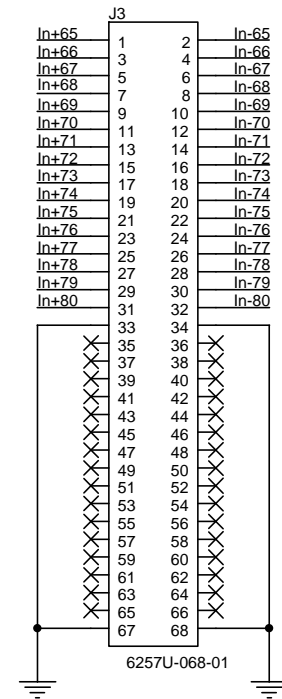
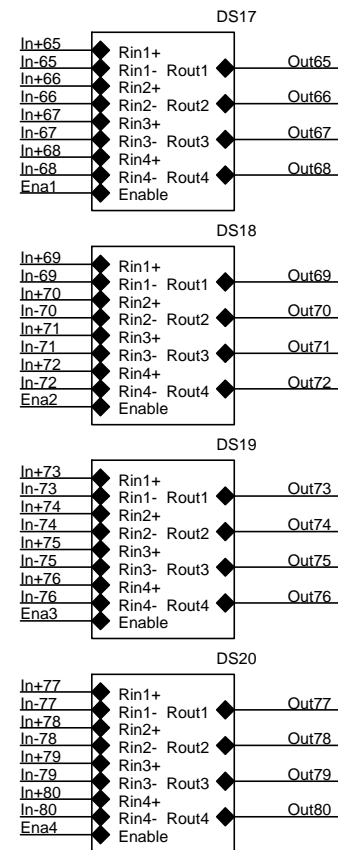
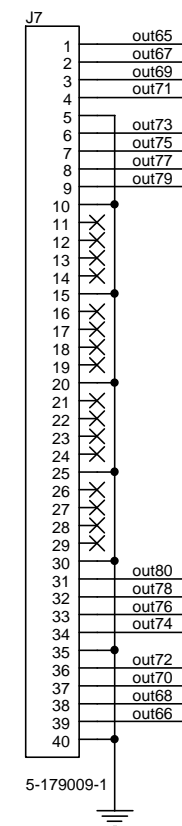
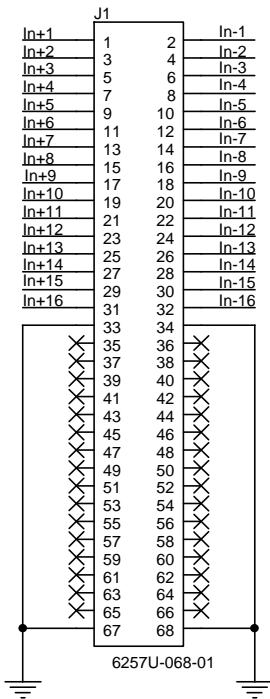
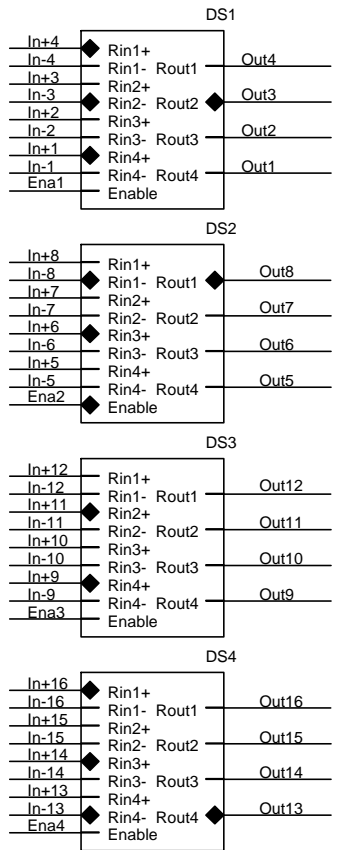
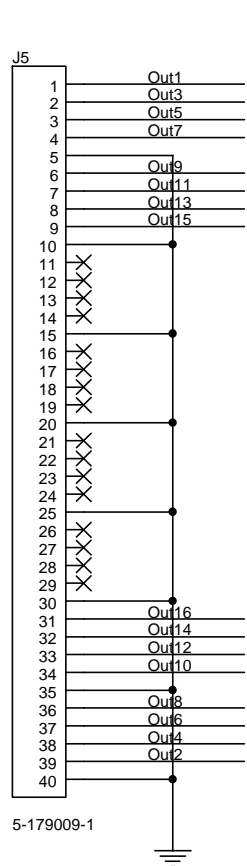
3

2

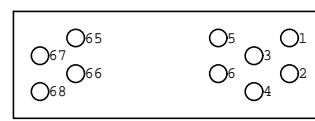
2

1

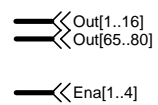
1



5-179009-1



6257U-068-01



Title		
ROB32-1.0 / INPUT		
Size	Document Number	Rev
A4		A
Date:	Friday, July 26, 2002	Sheet 4 of 6

A

B

C

D

E