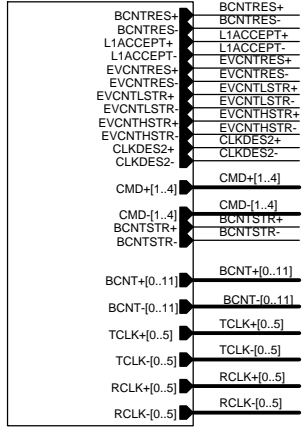


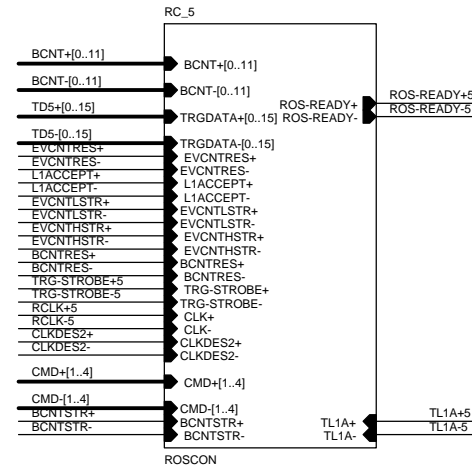
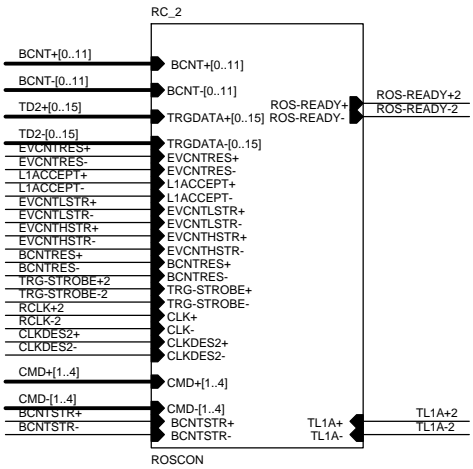
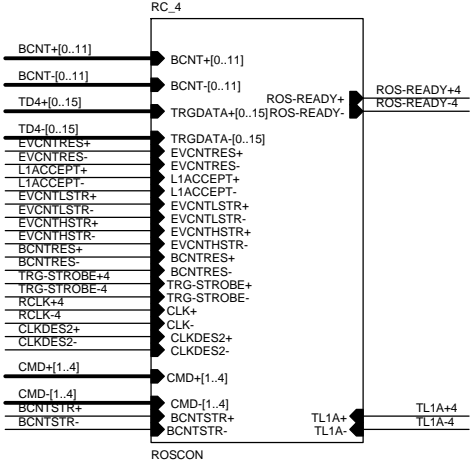
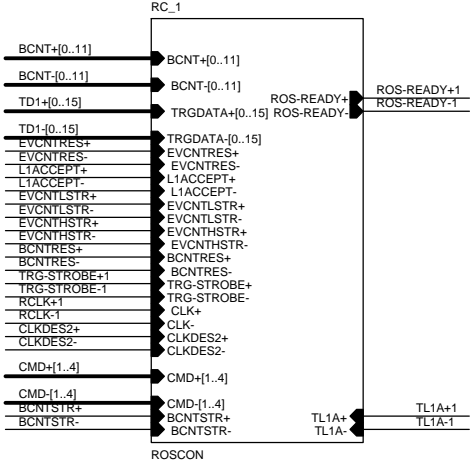
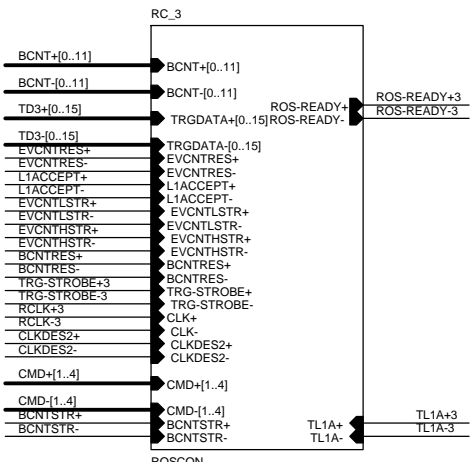
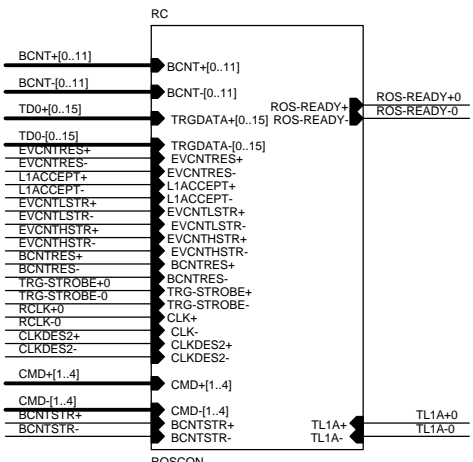
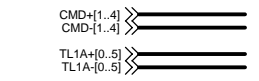
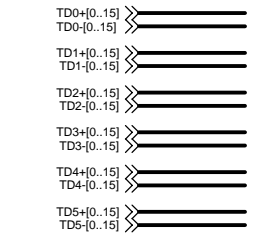
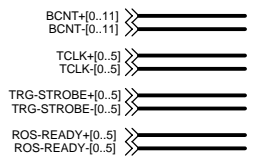
BCNTRES+ BCNTRES+  
 BCNTRES- BCNTRES-  
 L1ACCEPT+ L1ACCEPT+  
 L1ACCEPT- L1ACCEPT-  
 EVCNTRES+ EVCNTRES+  
 EVCNTRES- EVCNTRES-  
 EVCNTLSTR+ EVCNTLSTR+  
 EVCNTLSTR- EVCNTLSTR-  
 EVCNTHSTR+ EVCNTHSTR+  
 EVCNTHSTR- EVCNTHSTR-  
 CLKDES2+ CLKDES2+  
 CLKDES2- CLKDES2-

BCNTSTR+ BCNTSTR+  
 BCNTSTR- BCNTSTR-

TMC



TIMCON



Title		
TIMBUS / MAIN-1		
Size	Document Number	Rev
A3		B
Date:	Friday, April 22, 2005	Sheet 1 of 17